

# SERVICE PARTS LIST FOR MITSUBISHI ELECTRIC PACKAGED AIR-CONDITIONERS

**Series : PEFY-P•VMH-E**

REVISED

**July 2006**

**BWE0407B**

## INDEX

**PEFY-P40VMH-E**

**PEFY-P50VMH-E**

**PEFY-P63VMH-E**

**PEFY-P71VMH-E**

**PEFY-P80VMH-E**

**PEFY-P100VMH-E**

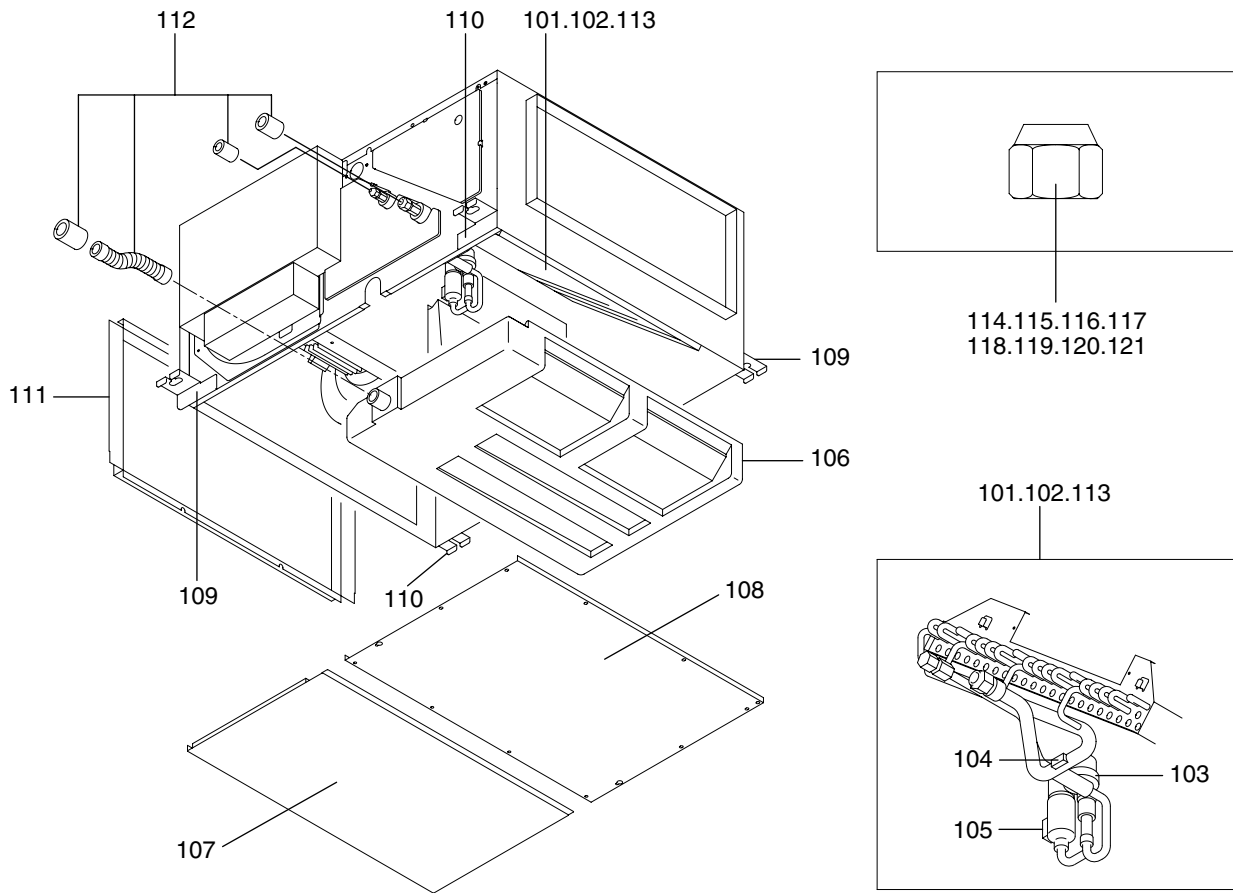
**PEFY-P125VMH-E**

**PEFY-P140VMH-E**

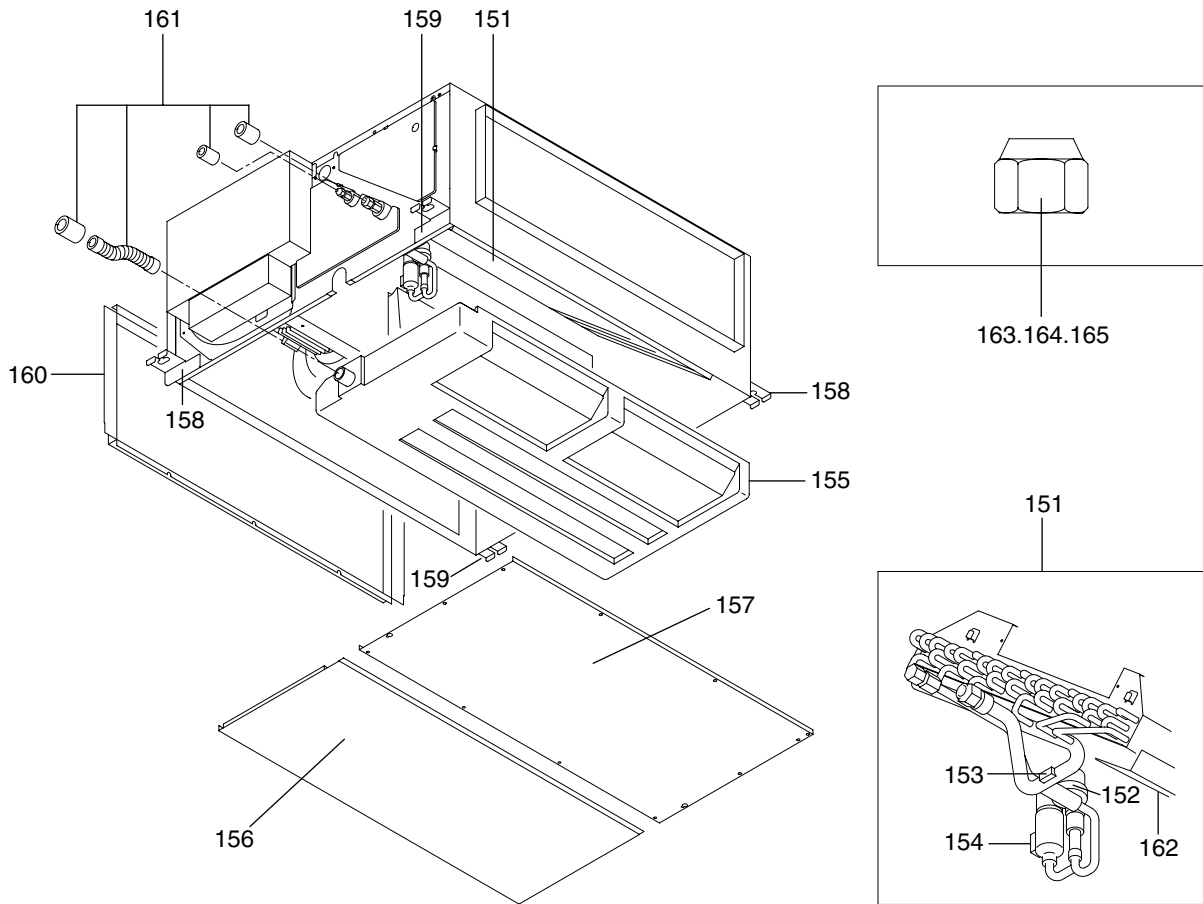
**PEFY-P200VMH-E**

**PEFY-P250VMH-E**

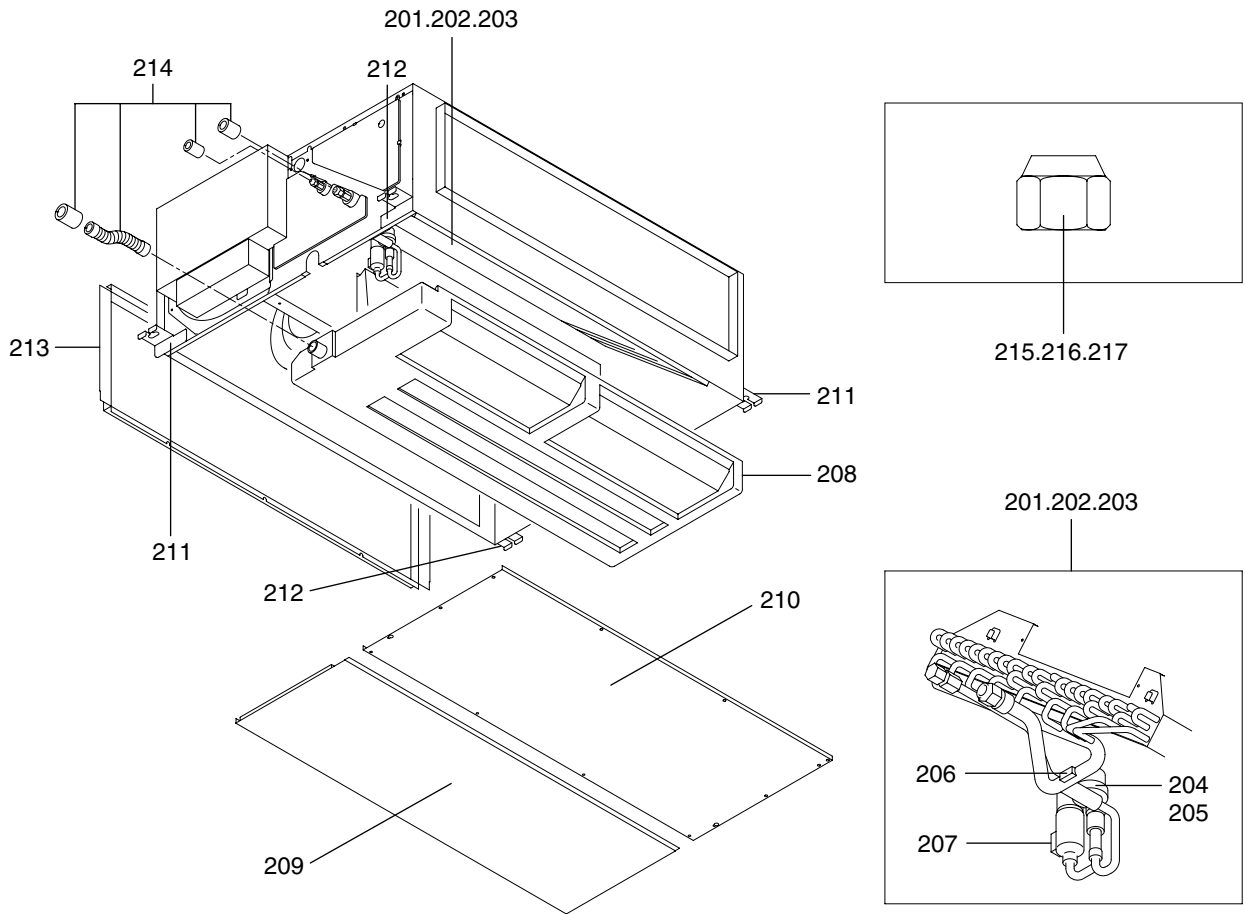




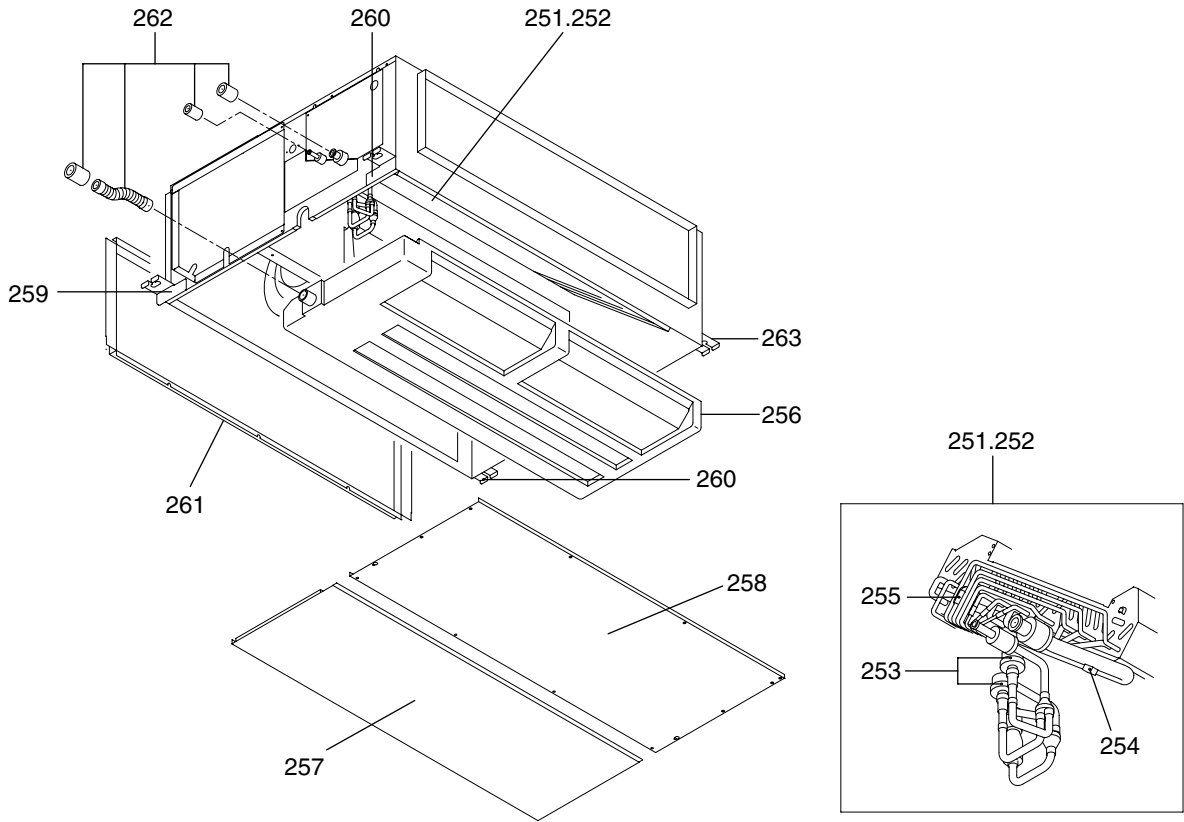
No.	Part No.	RoHS Compliant : G		Spec.	PEFY-P40VMH-E	PEFY-P50VMH-E	PEFY-P63VMH-E	Dwg. No.	Price	Revision History
			Part Name							
101	R63 S38 480	G	Heat exchanger assy P45		1			W275136G62		
102	R63 S39 480	G	Heat exchanger assy P56			1		W275136G63		
103	R63 S38 401	G	Linear expansion valve	EDM4 XH<LEV>	1	1	1	P632407X01		
104	R63 358 203	G	Thermistor	<TH23>	1	1	1	P425458X02		
105	R63 358 202	G	Thermistor	<TH22>	1	1	1	P425459X02		
106	R63 F85 529	G	Drain pan71		1	1	1	W122290G25		
107	R63 F85 661	G	Bottom plate assy 45		1	1	1	W627491G04		
108	R63 F92 661	G	Bottom plate A45 assy		1	1	1	W628696G07		
109	R63 F85 326	G	Hanging metal fittings D		2	2	2	W398771H03		
110	R63 F86 326	G	Hanging metal fittings D		2	2	2	W398771H04		
111	R63 F85 457	G	Flange assy 45		1	1	1	W627459G04		
112	R63 S38 526	G	Drain hose set		1	1	1	W650735G02		
113	R63 Y79 481	G	Heat exchanger assy P71				1	W275136G64		
114	R63 S32 122	G	Flare nut	<R22,R407C>	1			W843438H01		
115	R63 M04 134	G	Flare nut	<R22,R407C,R410A>	1			W457611H01		
116	R63 S35 122	G	Flare nut	<R22,R407C>		1	1	W843439H01		
117	R63 S36 122	G	Flare nut	<R22,R407C>		1	1	W843440H01		
118	R63 S34 122	G	Flare nut	<R410A>	1			W905525H01		
119	R63 S35 134	G	Flare nut	<R410A>		1		W905521H01		
120	R63 S37 134	G	Flare nut	<R410A>		1		W905520H01		
121	R63 S36 134	G	Flare nut	<R410A>			1	W905524H01		



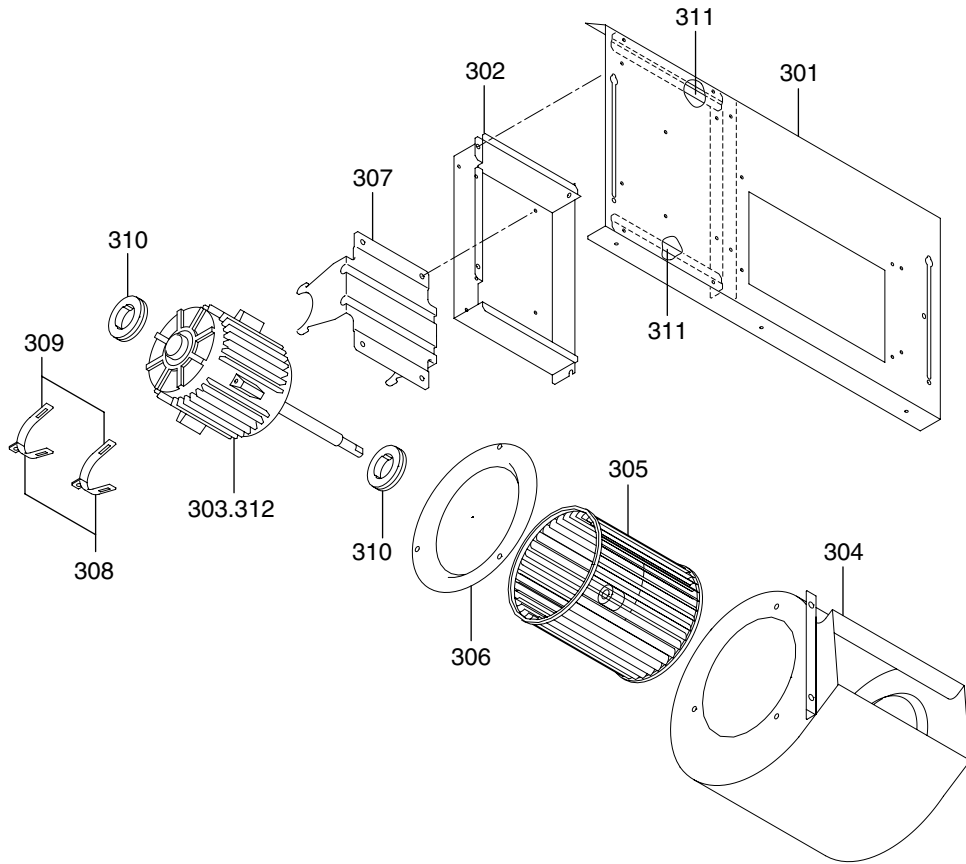
No.	Part No.	RoHS Compliant : G		Spec.	PEFY-P71VMH-E	PEFY-P80VMH-E	Dwg. No.	Price	Revision History
		Part Name							
151	R63 S41 480	G	Heat exchanger assy P80		1	1	W275136G65		
152	R63 R22 401	G	Linear expansion valve	EDM8 XH<LEV>	1	1	P632410X01		
153	R63 358 203	G	Thermistor	<TH23>	1	1	P425458X02		
154	R63 358 202	G	Thermistor	<TH22>	1	1	P425459X02		
155	R63 F88 529	G	Drain pan 90		1	1	W122290G26		
156	R63 F88 661	G	Bottom plate assy 80		1	1	W627491G05		
157	R63 F94 661	G	Bottom plate A80 assy		1	1	W628696G08		
158	R63 F85 326	G	Hanging metal fittings D		2	2	W398771H03		
159	R63 F86 326	G	Hanging metal fittings D		2	2	W398771H04		
160	R63 F88 457	G	Flange assy 80		1	1	W627459G05		
161	R63 S38 526	G	Drain hose set		1	1	W650735G02		
162	R63 F88 667	G	Partition board		1	1	W868141G01		
163	R63 S35 122	G	Flare nut	<R22,R407C>	1	1	W843439H01		
164	R63 S36 122	G	Flare nut	<R22,R407C,R410A>	1	1	W843440H01		
165	R63 S36 134	G	Flare nut	<R410A>	1	1	W905524H01		



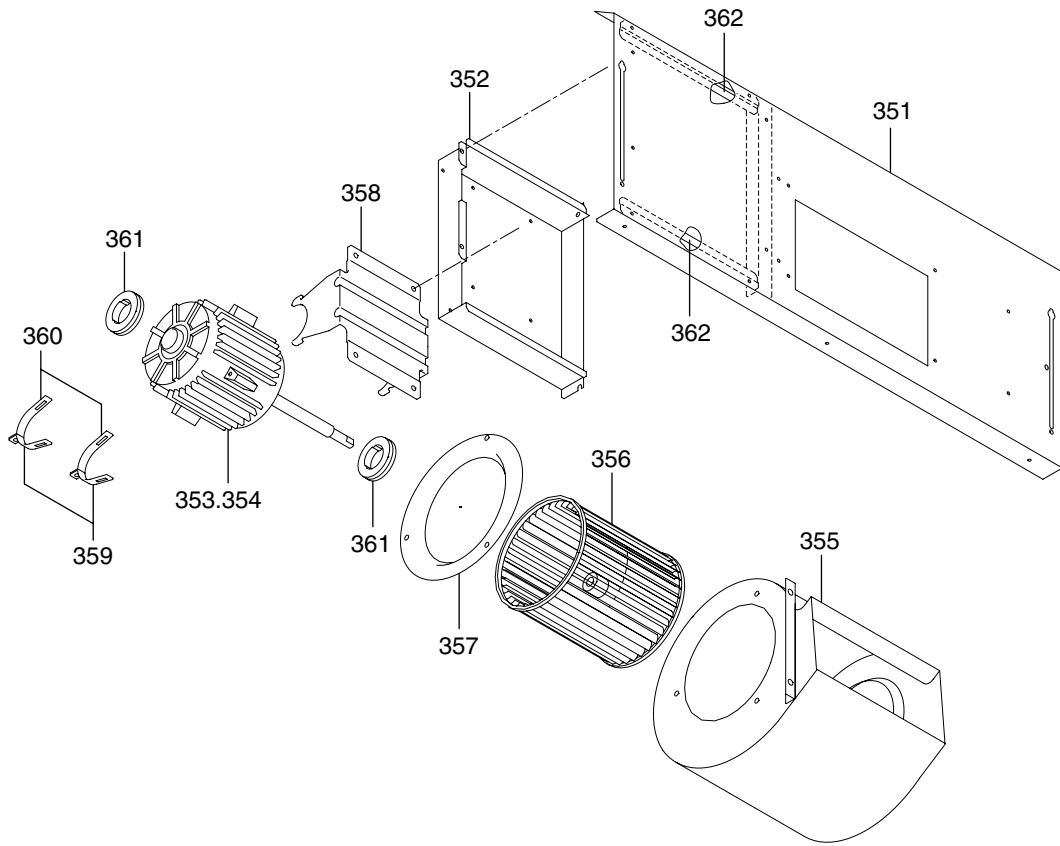
No.	Part No.	RoHS Compliant : G		Spec.	PEFY-P100VMH-E	PEFY-P125VMH-E	PEFY-P140VMH-E	Dwg. No.	Price	Revision History
			Part Name							
201	R63 S42 480	G	Heat exchanger assy P112		1			W275136G66		
202	R63 S43 480	G	Heat exchanger assy P140			1		W275136G67		
203	R63 S50 480	G	Heat exchanger assy P160				1	W275136G68		
204	R63 R22 401	G	Linear expansion valve	EDM8 XH<LEV>	1	1		P632410X01		
205	R63 R23 401	G	Linear expansion valve	EDMA XH<LEV>			1	P632413X01		
206	R63 358 203	G	Thermistor	<TH23>	1	1	1	P425458X02		
207	R63 358 202	G	Thermistor	<TH22>	1	1	1	P425459X02		
208	R63 F90 529	G	Drain pan 140		1	1	1	W122290G27		
209	R63 F90 661	G	Bottom plate assy 112		1	1	1	W627491G06		
210	R63 F95 661	G	Bottom plate A112 assy		1	1	1	W628696G09		
211	R63 F85 326	G	Hanging metal fittings D		2	2	2	W398771H03		
212	R63 F86 326	G	Hanging metal fittings D		2	2	2	W398771H04		
213	R63 F90 457	G	Flange assy 112		1	1	1	W627459G06		
214	R63 S38 526	G	Drain hose set		1	1	1	W650735G02		
215	R63 M03 122	G	Flare nut	<R22,R407C>	1	1	1	W457611H05		
216	R63 S36 122	G	Flare nut	<R22,R407C,R410A>	1	1	1	W843440H01		
217	R63 S42 122	G	Flare nut	<R410A>	1	1	1	W905522H01		



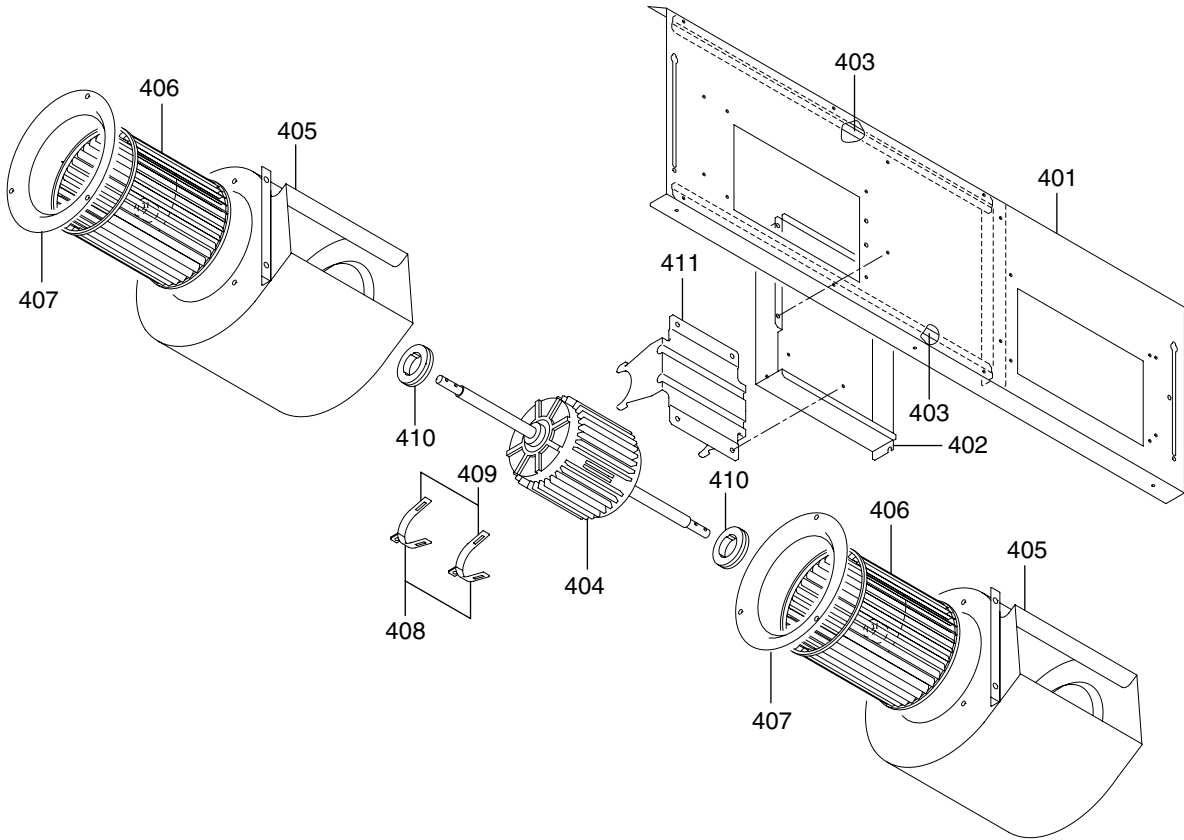
No.	Part No.	RoHS Compliant : G		Spec.	PEFY-P200VMH-E	PEFY-P250VMH-E	Dwg. No.	Price	Revision History
			Part Name						
251	R63 S45 480	G	Heat exchanger assy P224		1		W268110G16		
252	R63 S46 480	G	Heat exchanger assy P280			1	W268110G17		
253	R63 R22 401	G	Linear expansion valve	EDM8 XH<LEV>	2	2	P632410X01		
254	R63 358 203	G	Thermistor		1	1	P425458X02		
255	R63 358 202	G	Thermistor		1	1	P425459X02		
256	R63 H42 529	G	Drain pan 224		1	1	W125114G13		
257	R63 H42 661	G	Bottom plate assy 224		1	1	W627491G07		
258	R63 H43 661	G	Bottom plate A224 assy		1	1	W628696G10		
259	R63 F85 326	G	Hanging metal fittings D		1	1	W398771H03		
260	R63 F86 326	G	Hanging metal fittings D		2	2	W398771H04		
261	R63 H42 457	G	Flange assy		1	1	W630285G01		
262	R63 P53 525	G	Drain hose set		1	1	W650735G03		
263	R63 H42 326	G	Hanging metal fittings		1	1	W871827G01		



No.	Part No.	RoHS Compliant : G		Spec.	PEFY-P40VMH-E	PEFY-P50VMH-E	PEFY-P63VMH-E	Dwg. No.	Price	Revision History
			Part Name							
301	R63 F85 140	G	Fan stand 45		1	1	1	W263051H03		
302	R63 Y01 133	G	Motor stand		1	1	1	W881379G01		
303	R63 Y24 221	G	Motor P63H				1	P714693X02		
304	R63 F85 110	G	Fan casing		1	1	1	W122291G04		
305	R63 F85 114	G	Sirocco fan		1	1	1	W122292G03		
306	R63 F85 119	G	Bell mouth		1	1	1	W866104H01		
307	R63 772 130	G	Leg		1	1	1	R02G131H07		
308	R63 507 131	G	Fixing plate		2	2	2	R02F328H09		
309	R63 507 132	G	Fixing plate (with the nut)		2	2	2	R02F328G84		
310	R63 755 104	G	Rubber bush		2	2	2	R31F676H01		
311	R63 F85 573	G	Guide 71		2	2	2	W866123H01		
312	R63 Y27 221	G	Motor	P40H	1	1		P714692X02		

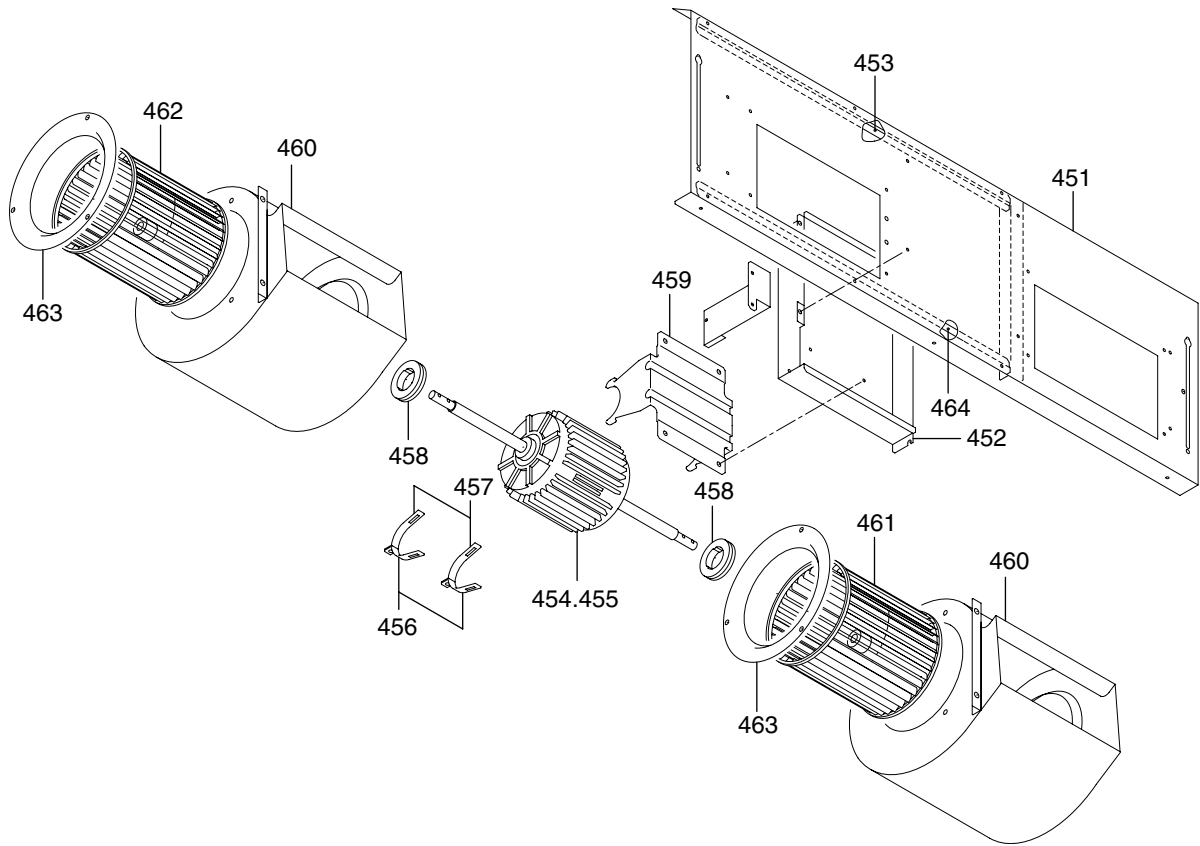


No.	Part No.	RoHS Compliant : G		Spec.	PEFY-P71VMH-E	PEFY-P80VMH-E		Dwg. No.	Price	Revision History
			Part Name							
351	R63 F88 140	G	Fan stand 80		1	1		W263052H03		
352	R63 Y02 133	G	Motor stand		1	1		W881380G01		
353	R63 Y25 221	G	Motor P71H		1			P714694X02		
354	R63 Y26 221	G	Motor P80H			1		P714695X02		
355	R63 F85 110	G	Fancasing		1	1		W122291G04		
356	R63 F85 114	G	Sirocco fan		1	1		W122292G03		
357	R63 F85 119	G	Bell mouth		1	1		W866104H01		
358	R63 772 130	G	Leg		1	1		R02G131H07		
359	R63 507 131	G	Fixing plate		2	2		R02F328H09		
360	R63 507 132	G	Fixing plate (with the nut)		2	2		R02F328G84		
361	R63 755 104	G	Rubber bush		2	2		R31F676H01		
362	R63 F88 573	G	Guide 80	P40H	2	2		W866123H02		

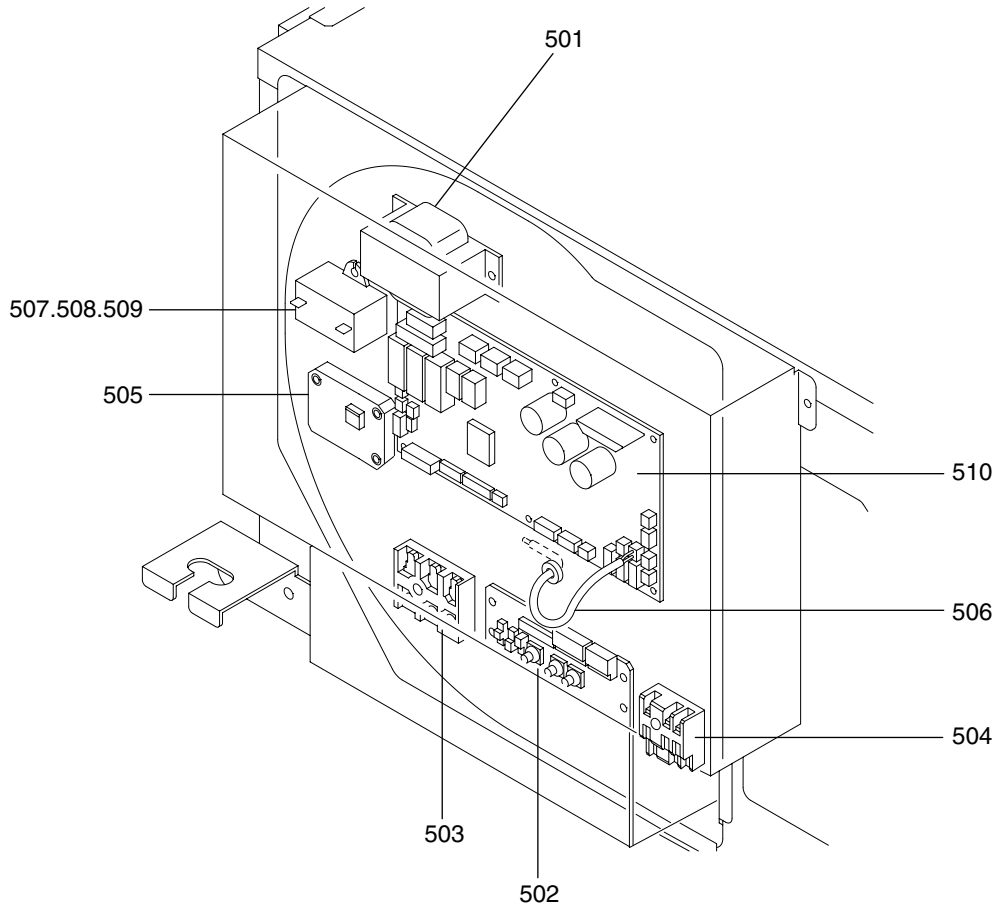


No.	Part No.	RoHS Compliant : G		Spec.	PEFY-P100VMH-E	PEFY-P125VMH-E	PEFY-P140VMH-E	Dwg. No.	Price	Revision History
			Part Name							
401	R63 G86 140	G	Fan stand 112		1	1	1	W263037H04		
402	R63 Y02 133	G	Motor stand		1	1	1	W881380G01		
403	R63 F90 573	G	Guide 112		2	2	2	W866123H03		
404	R63 Y28 221	G	Motor	P100H	1	1	1	P714696X02		
405	R63 F85 110	G	Fan casing		2	2	2	W122291G04		
406	R63 F85 114	G	Sirocco fan		2	2	2	W122292G03		
407	R63 F85 119	G	Bell mouth		2	2	2	W866104H01		
408	R63 508 131	G	Fixing plate		2	2	2	R02K338H02		
409	R63 508 132	G	Fixing plate (with the nut)		2	2	2	R02K338G82		
410	R63 Y01 104	G	Rubber bush		2	2	2	W860050H02		
411	R63 508 130	G	Leg		1	1	1	R02L922H02		

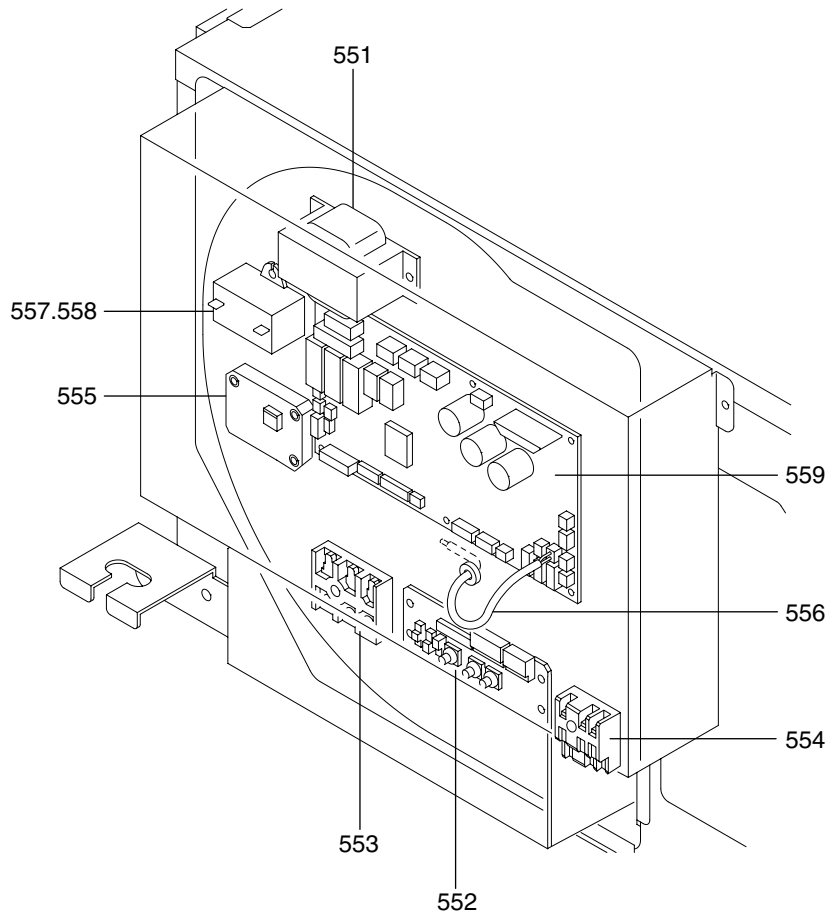




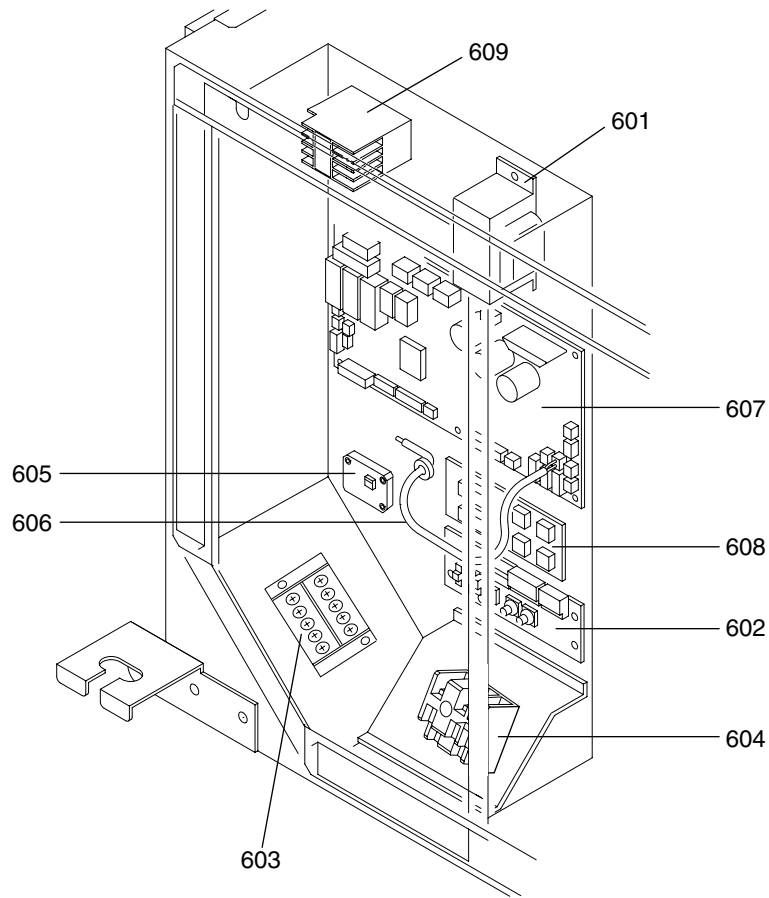
No.	Part No.	RoHS Compliant : G		Spec.	PEFY-P200VMH-E	PEFY-P250VMH-E	Dwg. No.	Price	Revision History
			Part Name						
451	R63 H42 140	G	Fan stand		1	1	W631853G01		
452	R63 Y03 133	G	Motor stand		1	1	W881378G01		
453	R63 H42 573	G	Guide		1	1	W866123H04		
454	R63 Y29 221	G	Motor		1		P714679X01		
455	R63 Y30 221	G	Motor			1	P714680X01		
456	R63 508 131	G	Fixing plate		2	2	R02K338H02		
457	R63 508 132	G	Fixing plate (with the nut)		2	2	R02K338G82		
458	R63 Y01 104	G	Rubber bush		2	2	W860050H02		
459	R63 508 130	G	Leg		1	1	R02L922H02		
460	R63 H20 110	G	Fan casing		2	2	W264318G01		
461	R63 311 114	G	Sirocco fan assy		1	1	R00C723G85		
462	R63 311 115	G	Sirocco fan assy	P40H	1	1	R00C723G86		
463	R63 249 119	G	Bell mouth		2	2	R02F474H03		
464	R63 H43 573	G	Guide 224		1	1	W866123H05		



No.	Part No.	RoHS Compliant : G		Spec.	PEFY-P40VMH-E	PEFY-P50VMH-E	PEFY-P63VMH-E	PEFY-P71VMH-E	Dwg. No.	Price	Revision History
		Part Name									
501	R61 Y28 260	G	Transformer	240/23.5V-0.9A VH	1	1	1	1	P715396X01		B
502	R63 Y37 281	G	Board assy AD		1	1	1	1	W849036G09		
503	R63 Y08 715	G	Terminal block	<TB2>	1	1	1	1	P436157X01		
504	R63 336 246	G	Terminal block	<TB5>,<TB15>	1	1	1	1	P436114X03		
505	R63 Y22 280	G	Board assy FP-DSA		1	1	1	1	W849072G13		
506	R63 373 202	G	Thermistor		1	1	1	1	P425455X01		
507	R63 E65 252	G	Capacitor 3μF	440AC	1	1			P412204X01		
508	R63 Y08 252	G	Capacitor 4μF				1		P412209X01		
509	R63 F79 252	G	Capacitor 5μF				1		P412214X01		
510	R63 Y36 281	G	Board assy RY		1	1	1	1	W849072G06		



No.	Part No.	RoHS Compliant : G		Spec.	PEFY-P80VMH-E	PEFY-P100VMH-E	PEFY-P125VMH-E	PEFY-P140VMH-E	Dwg. No.	Price	Revision History
			Part Name								
551	R61 Y28 260	G	Transformer	240/23.5V-0.9A VH	1	1	1	1	P715396X01		B
552	R63 Y37 281	G	Board assy AD		1	1	1	1	W849036G09		
553	R63 Y08 715	G	Terminal block	<TB2>	1	1	1	1	P436157X01		
554	R63 336 246	G	Terminal block	<TB5>,<TB15>	1	1	1	1	P436114X03		
555	R63 Y22 280	G	Board assy FP-DSA		1	1	1	1	W849072G13		
556	R63 373 202	G	Thermistor		1	1	1	1	P425455X01		
557	R63 F79 252	G	Capacitor 5μF		1				P412214X01		
558	R63 Y16 252	G	Capacitor 7μF			1	1	1	P412217X01		
559	R63 Y36 281	G	Board assy RY		1	1	1	1	W849072G06		



No.	Part No.	RoHS Compliant : G		Spec.	PEFY-P200VMH-E	PEFY-P250VMH-E	Dwg. No.	Price	Revision History
			Part Name						
601	R61 Y28 260	G	Transformer	240/23.5V-0.9A VH	1	1	P715396X01		B
602	R63 Y37 281	G	Board assy AD		1	1	W849036G09		
603	R63 Y05 246	G	Terminal block	LVD	1	1	P436151X01		
604	R63 336 246	G	Terminal block	LVD	1	1	P436114X03		
605	R63 Y22 280	G	Board assy FP-DSA		1	1	W849072G13		
606	R63 373 202	G	Thermistor		1	1	P425455X01		
607	R63 Y36 281	G	Board assy RY		1	1	W849072G06		
608	R63 350 280	G	LEV adaptor board assy		1	1	W601714G02		
609	R63 Y33 225	G	Solenoid switch	MSO-N11AR	1	1	S427025H13		

